



# octoBox Personal Testbed Standard Configurations

September 2017



+1.978.222.3114

[info@octoscope.com](mailto:info@octoscope.com)

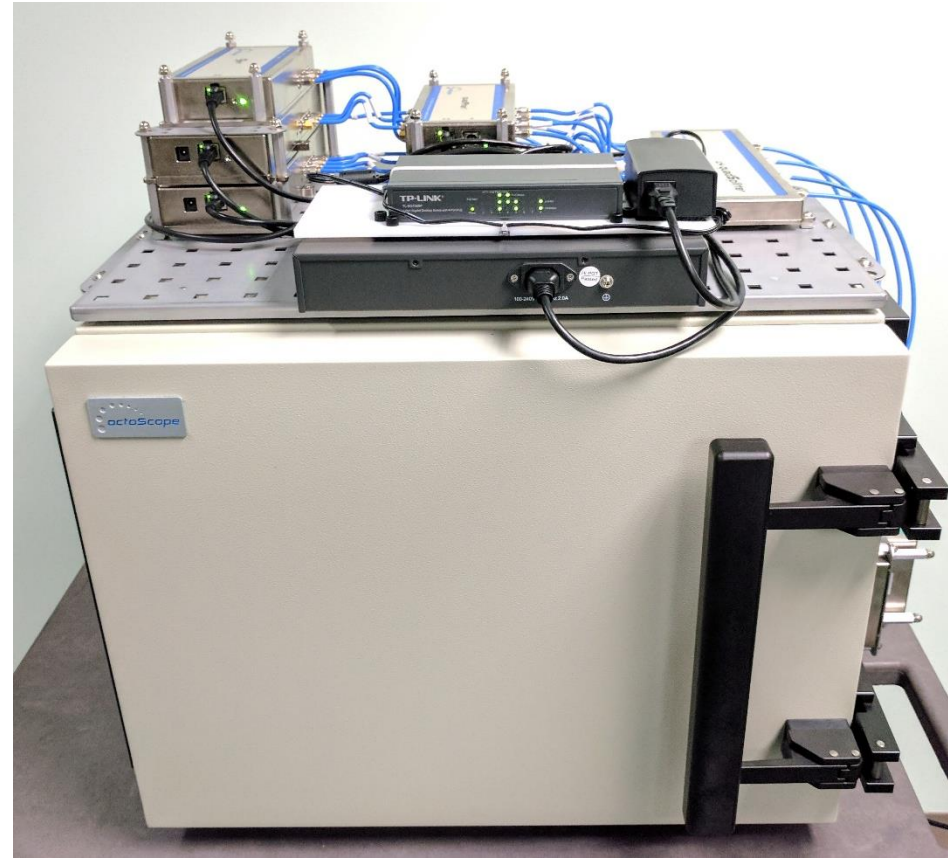
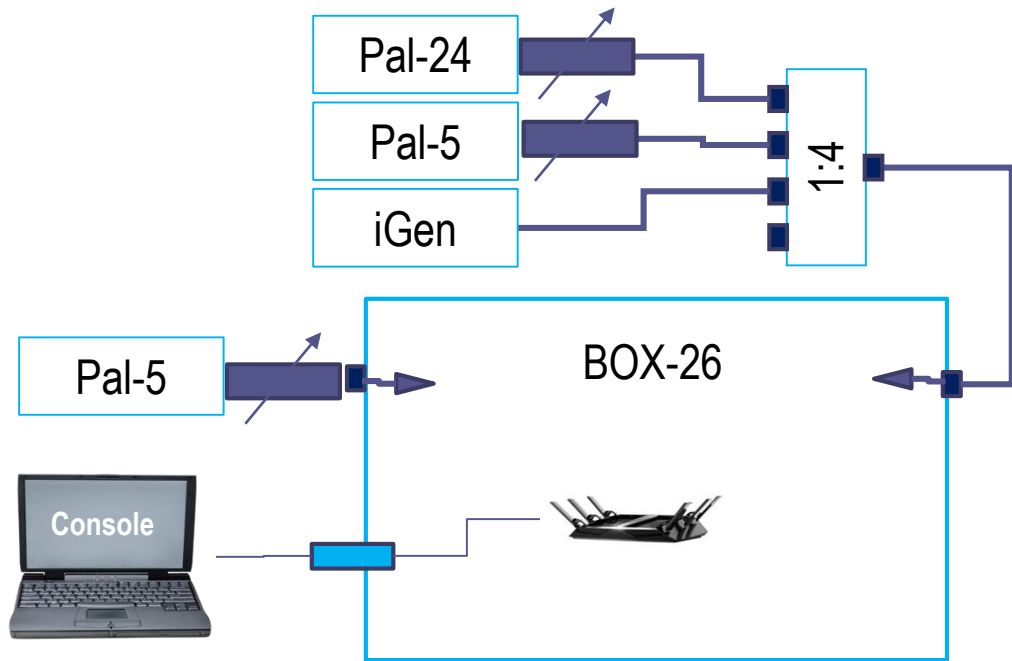
## Tests Supported by Standard octoBox Testbeds

	STACK-BENCHTOP	STACK-SNB	STACK-16
MIMO-OTA	Y	Y	Y (up to 16 streams)
MU-MIMO, beamforming	Y	Y	Y
Throughput vs. range	Y	Y	Y
Throughput vs. orientation		Y	Y
Packet capture (PCAP Wireshark format)	Y	Y	
Multipath		Y	
Mesh		Y	
Interoperability			Y
Interference	Y		
Network load (ACI, CCI)	Y	Y	
DFS, ACS	Y	Y	
Behavior analysis (e.g. rate adaptation)	Y	Y	
Mobility / roaming	Y	Y	
Receiver performance	Y	Y	Y
Association capacity (vSTA)	Y	Y	
Multi-channel aggregate throughput	Y	Y	Y
Roaming / band steering	Y	Y	

Most tests are supported over both Wi-Fi and LTE; LTE instrumentation (e.g. call box) or base station required for LTE testing

SNB = SmallNetBuilder.com  
 ACI = adjacent channel interference  
 CCI = co-channel interference  
 DFS = dynamic frequency selection  
 ACS = auto channel selection  
 vSTA = virtual stations

# STACK-BENCHTOP



STACK	STACK DIMENSION	TOTAL WEIGHT
STACK-BENCHTOP	24.8"H x 26.4"W x 25.2"D (63cm x 67 x 64)	123.5 LBS (56 kg)

### Legend:

- 4 SMA connectors
- 4 RF cables
-  4x4 MIMO 1:4 Splitter
-  4 high gain antennas
-  quadAtten

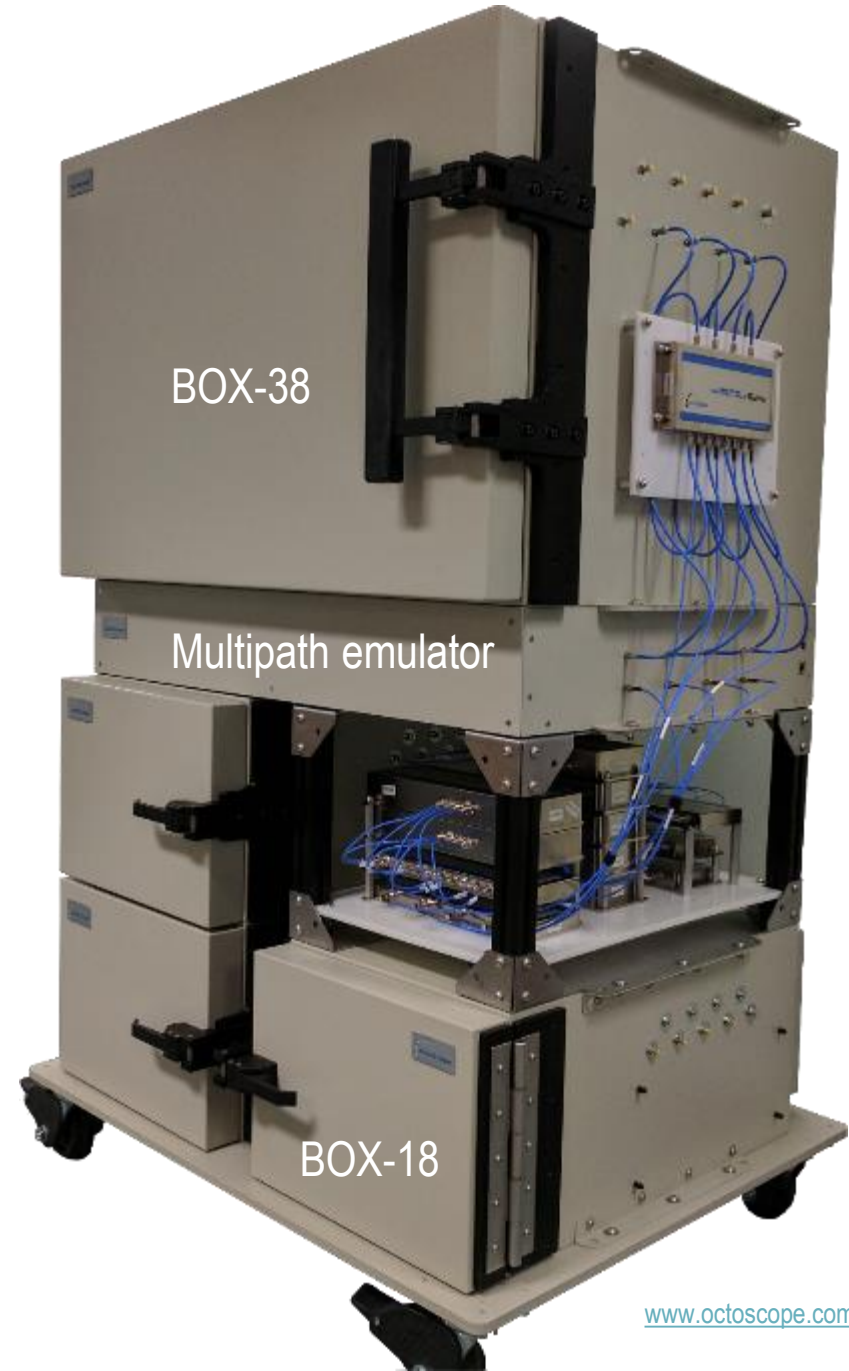
# octoBox STACK-SNB Testbed

**SNB = SmallNetBuilder.com**

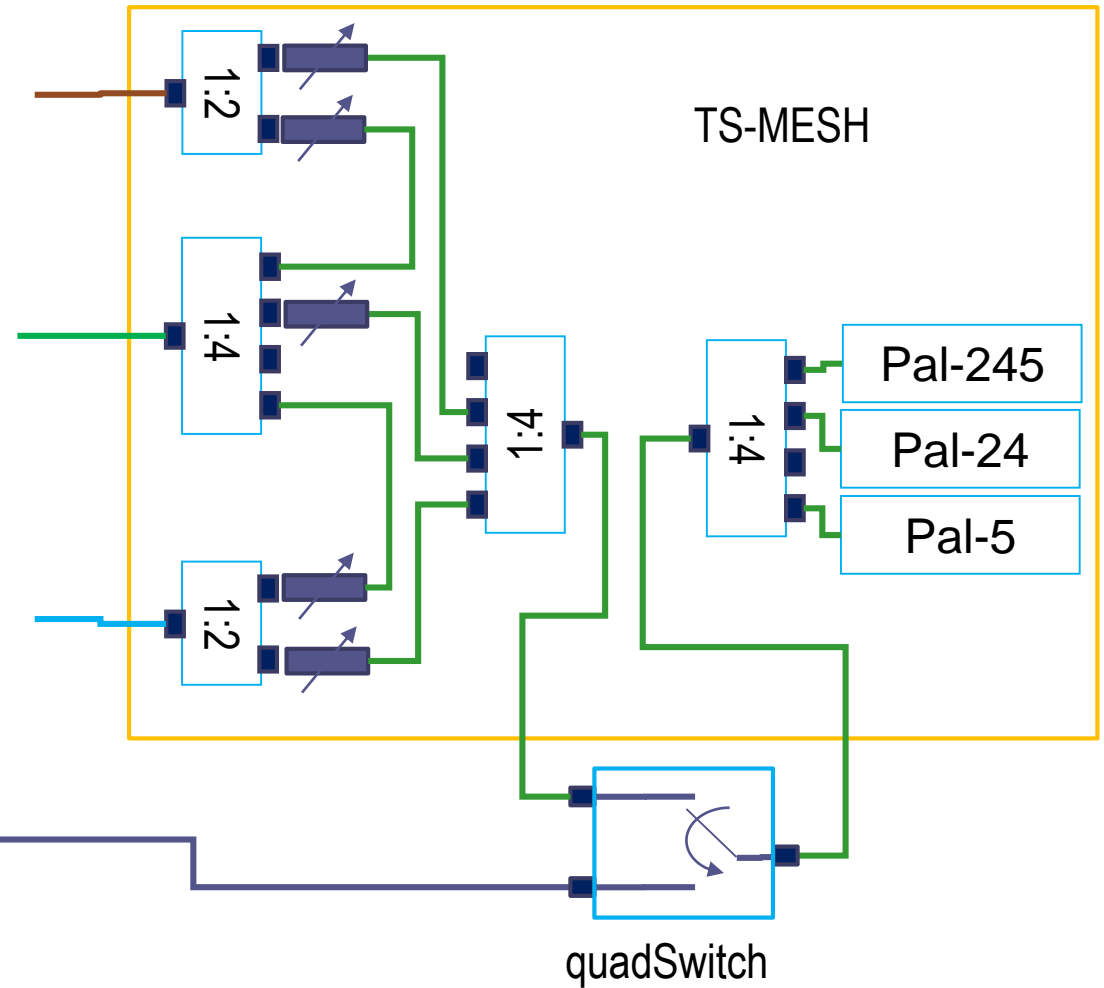
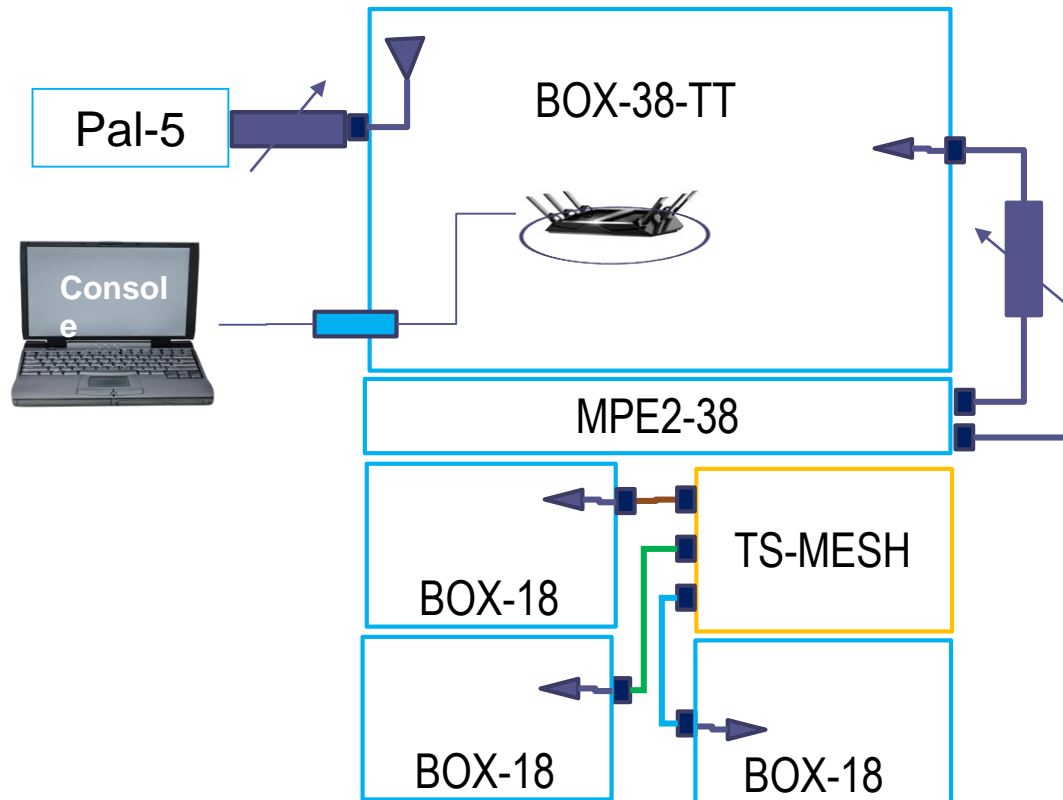
Throughput vs. Range

Maximum 4x4 throughput

Mesh and airlink capacity



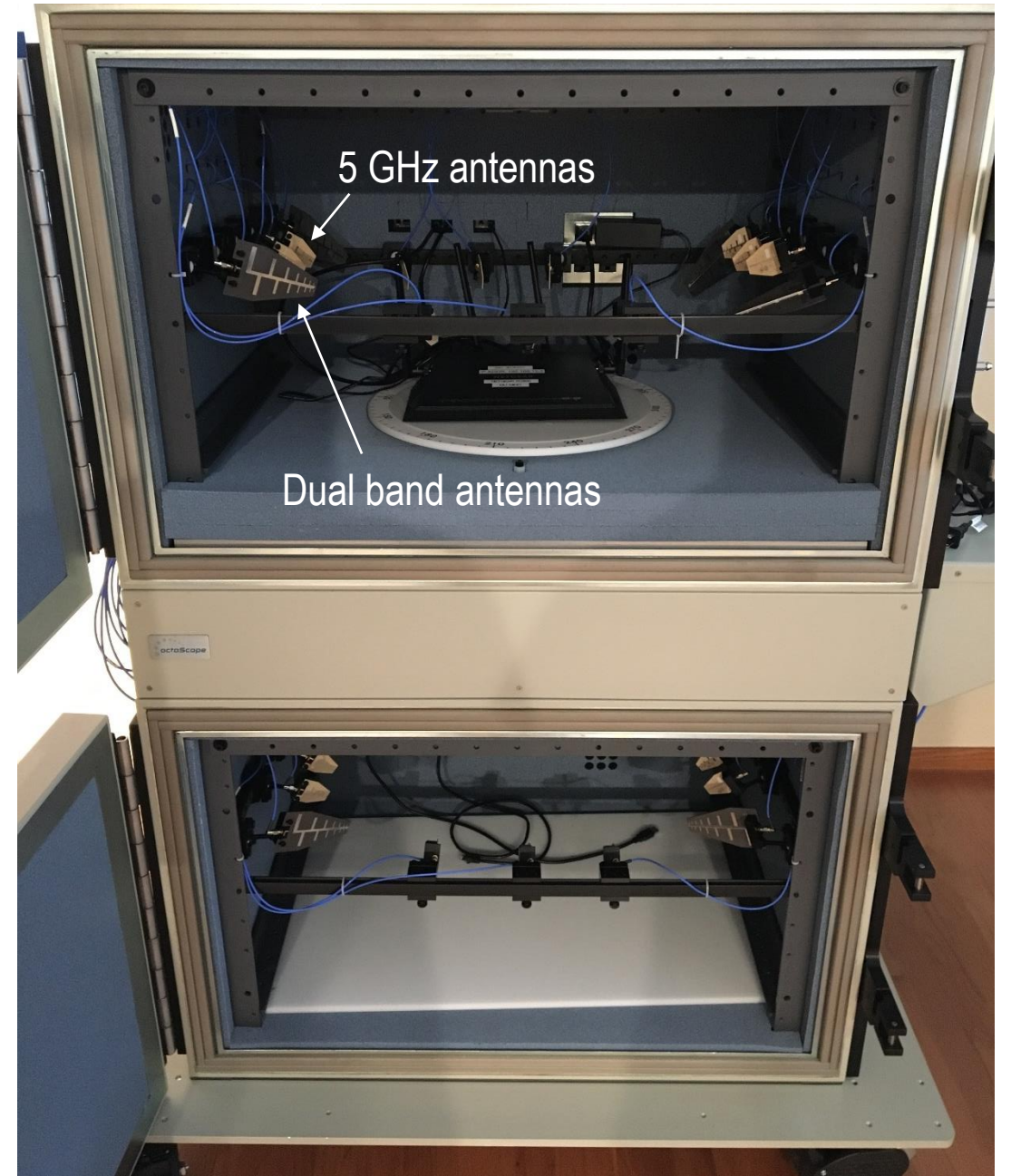
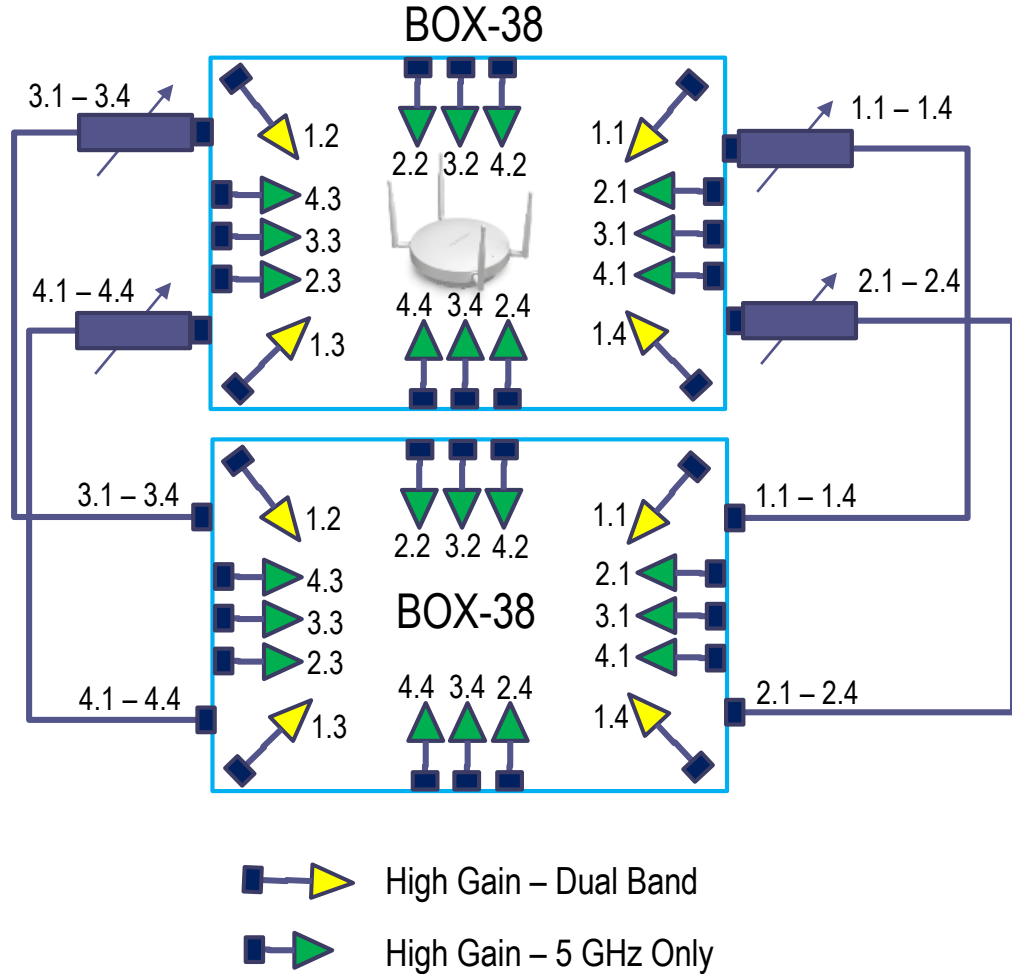
# STACK-SNB



STACK	STACK DIMENSION	Total Weight
STACK-SNB	62"H x 40"W x 31"D (157cm x 102cm x 79cm)	647 LBS (293 kg)



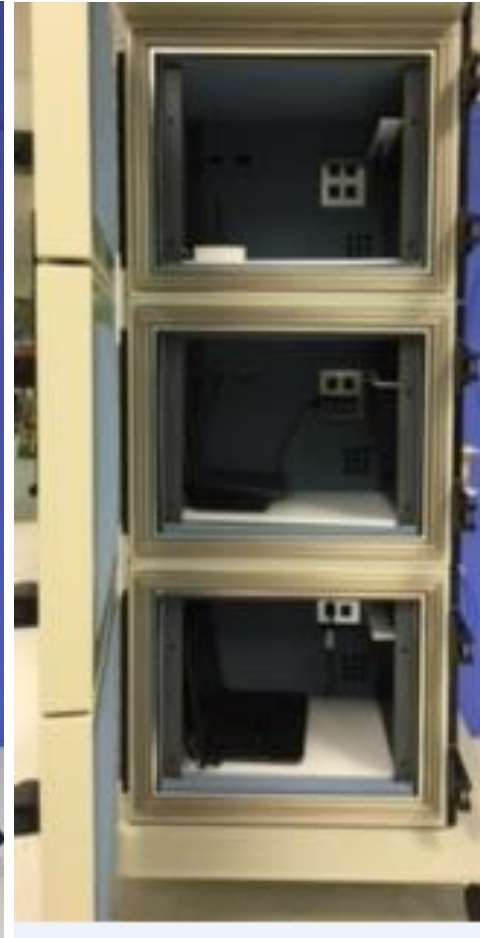
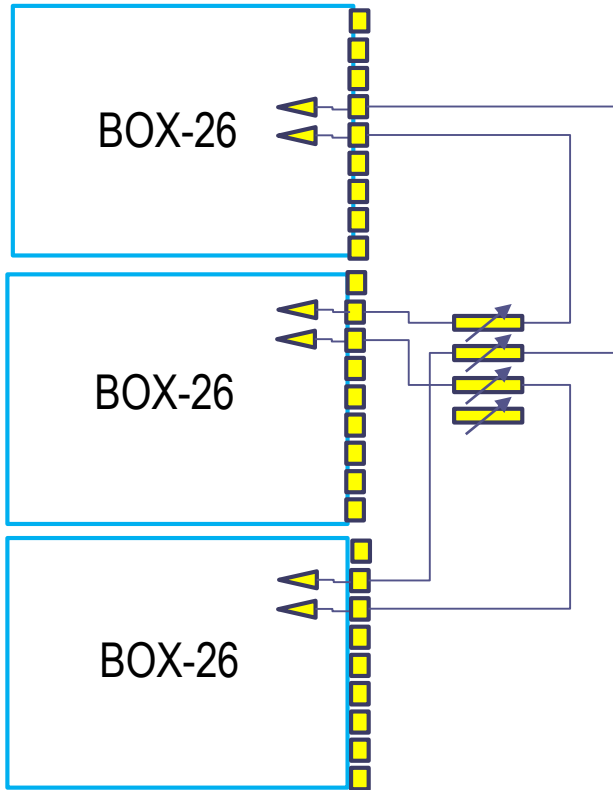
# STACK-16



STACK	STACK DIMENSION	TOTAL WEIGHT
STACK-16	54"H x 40"W x 31"D (137cm x 102cm x 79cm)	469 LBS (213 kg)

# STACK-THREAD-IOT

	US	Metric
Dimensions	60.5"H x 34"W x 28.5"D	1.53m x 86.36cm x 72.39 cm
Weight	362.5 LBS	164.4 kg



Components
<a href="#">BOX-26</a>
<a href="#">BOX-26</a>
<a href="#">BOX-26</a>
<a href="#">OB-QUADATTEN</a>
<a href="#">OB-BASE-26</a>

[info@octoscope.com](mailto:info@octoscope.com)

+1.978.222.3114

Non-US  
customers  
click here

